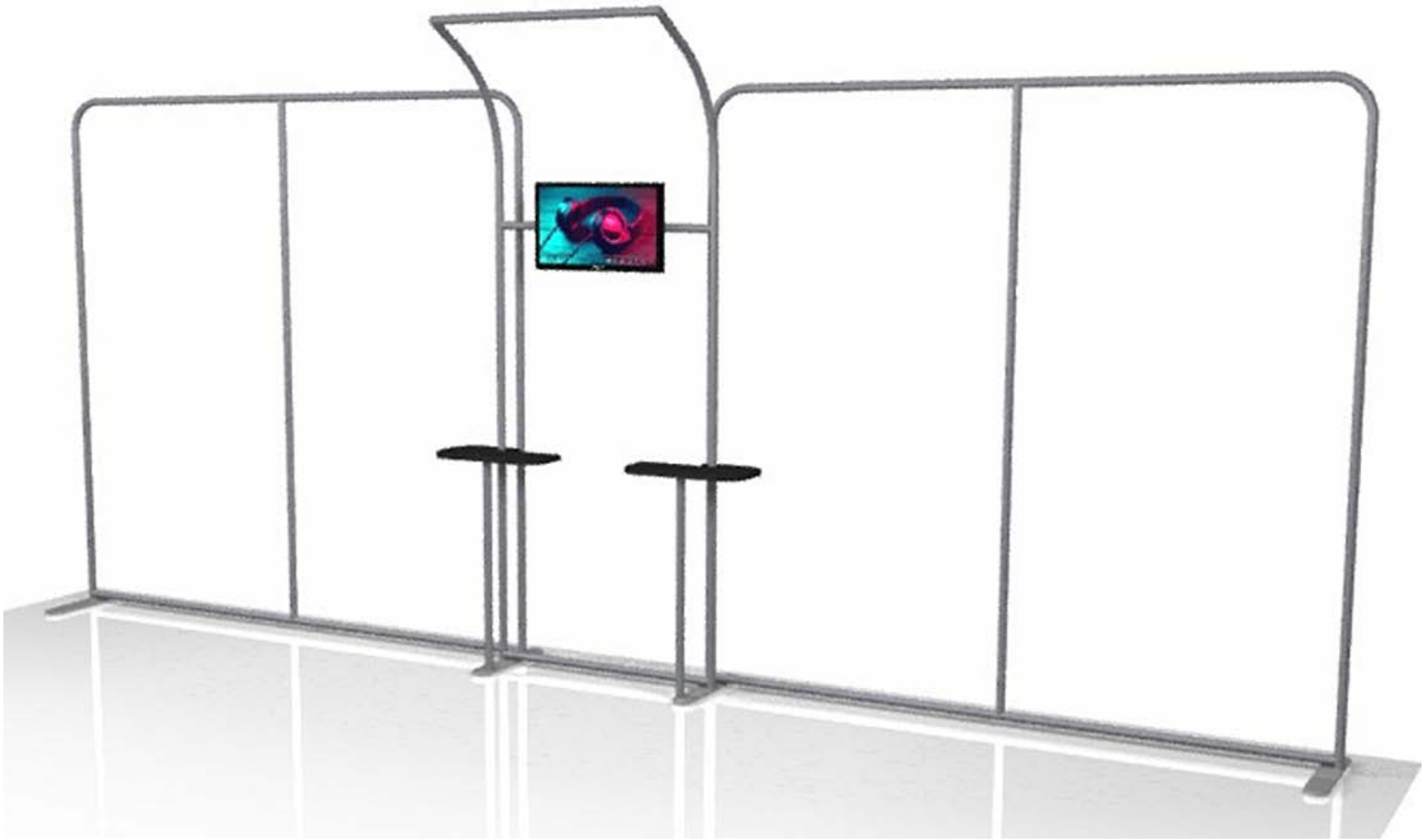
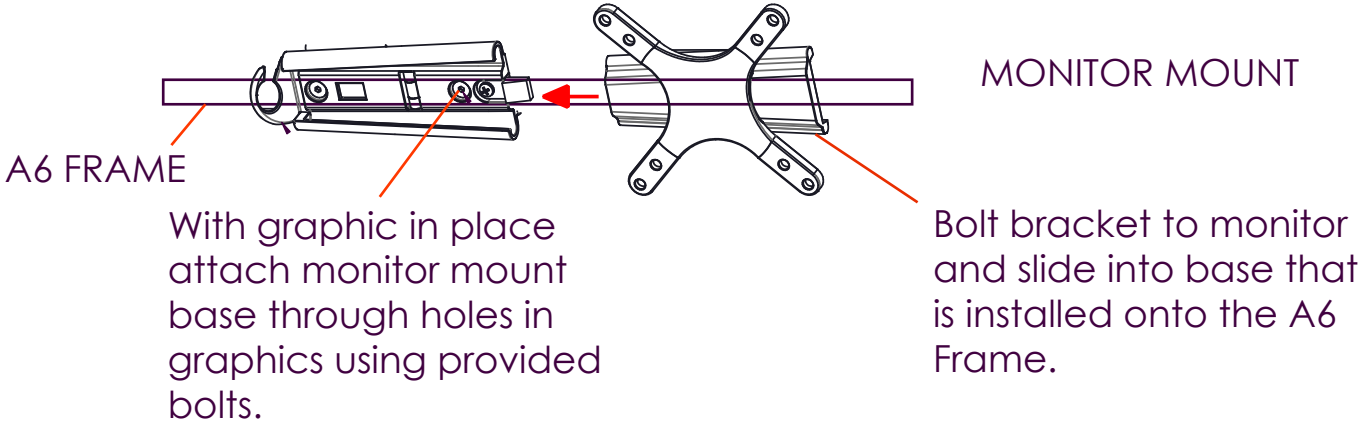
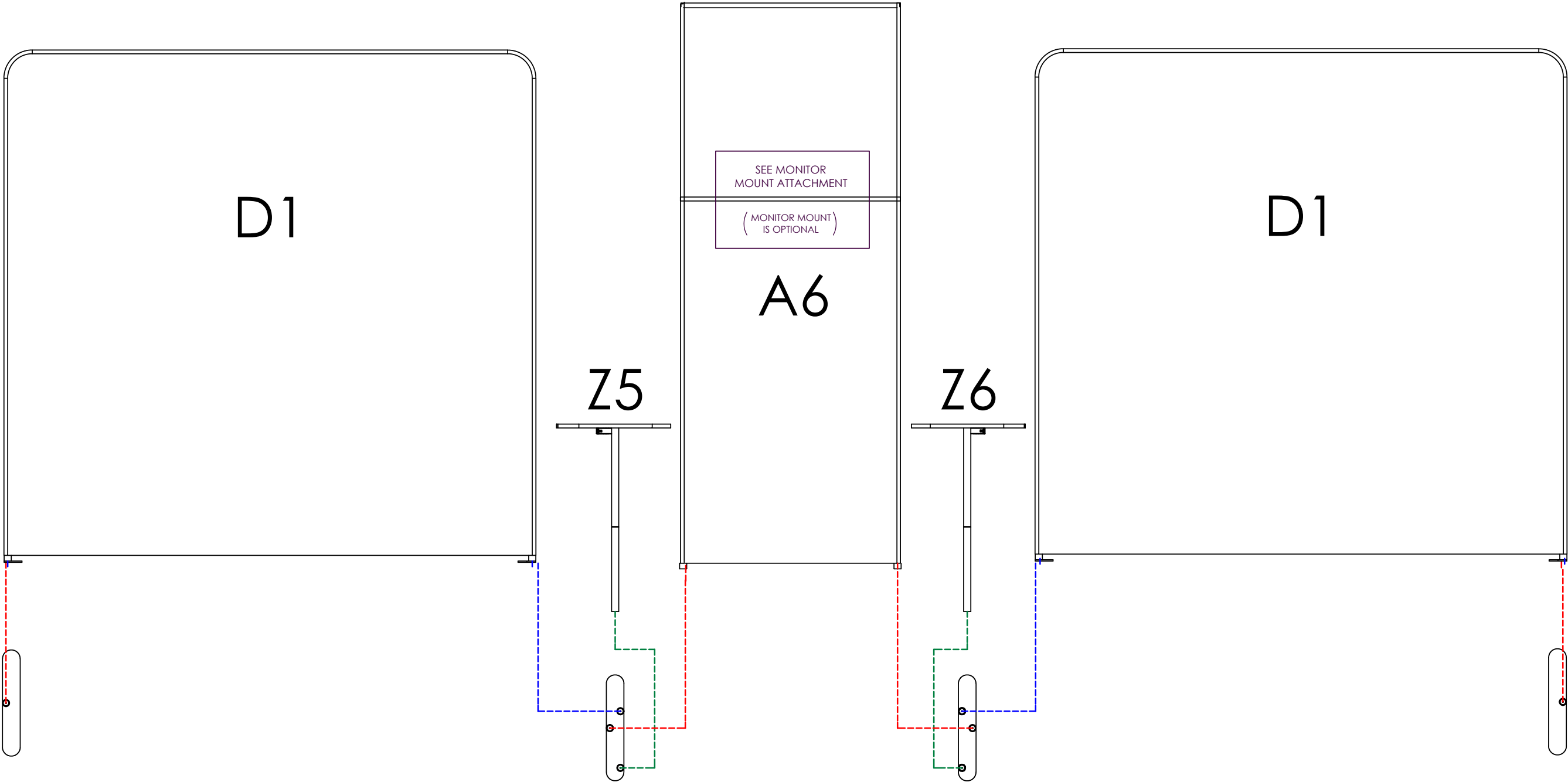


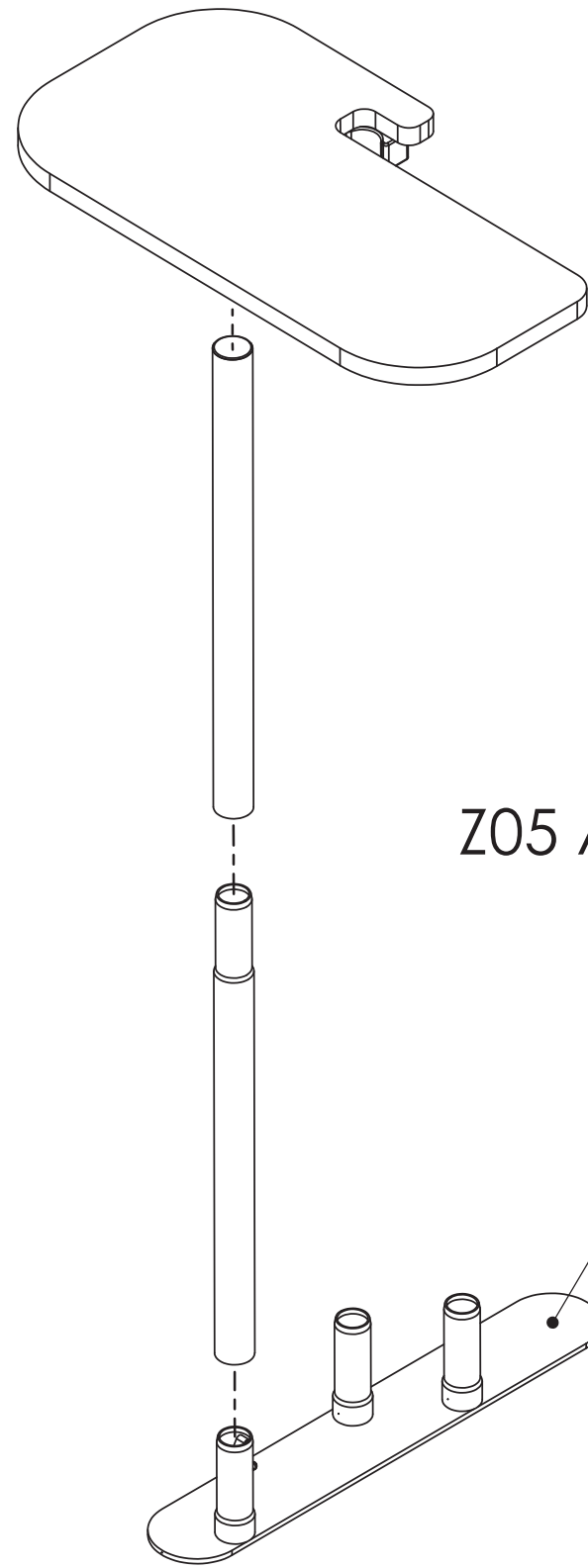
WTMD1A6D1 - KIT ASSEMBLY



WTMD1A6D1 - KIT ASSEMBLY DIAGRAM

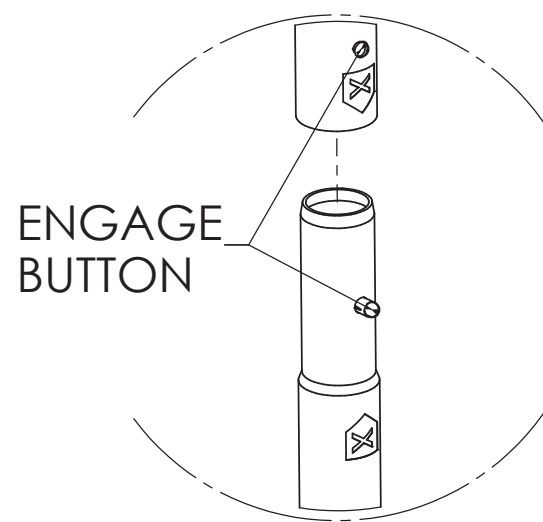


WTMZ05 & WTMZ06 ASSEMBLY



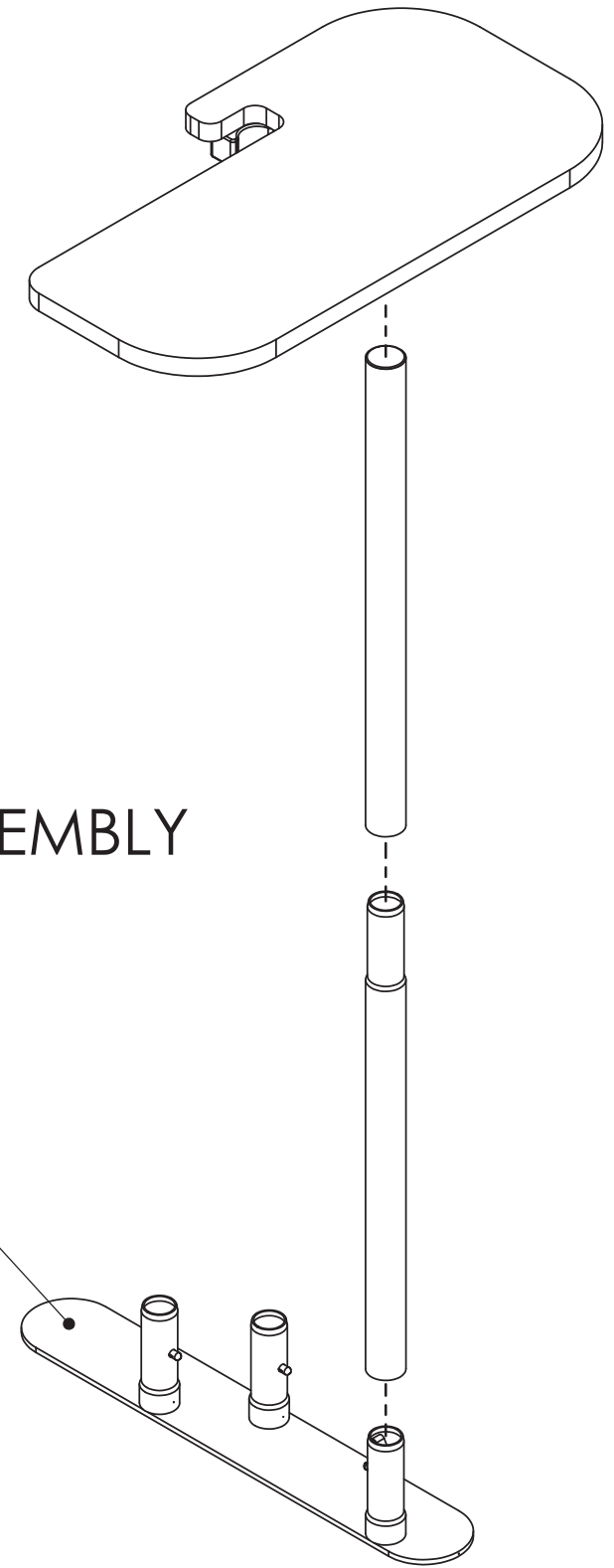
Z05 ASSEMBLY

FOOT ASSEMBLY



ENGAGE
BUTTON

GENERAL TUBE ASSEMBLY

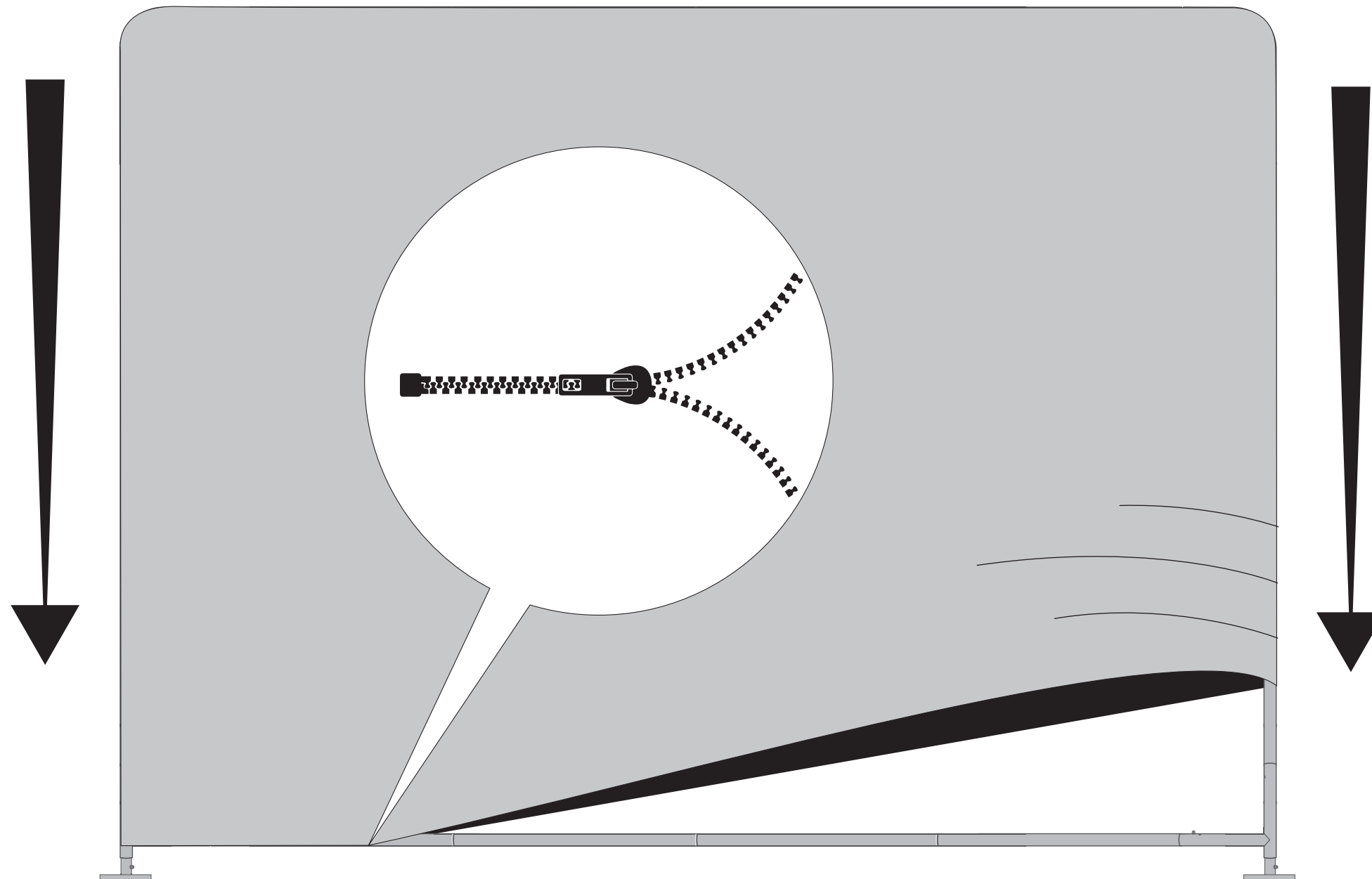


Z06 ASSEMBLY

FOOT ASSEMBLY

WaveTube Graphic Installation

1 PULL GRAPHIC OVER THE FRAME EVENLY



2 ZIP CLOSED